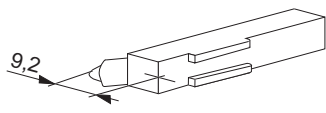
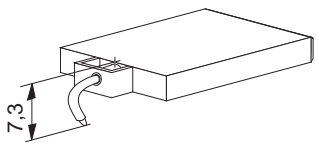
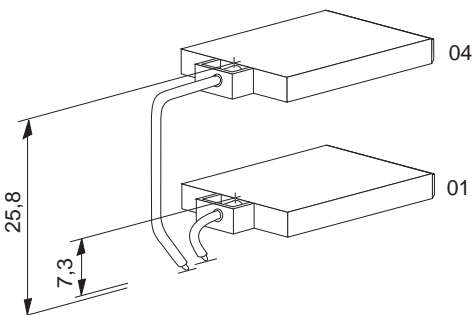
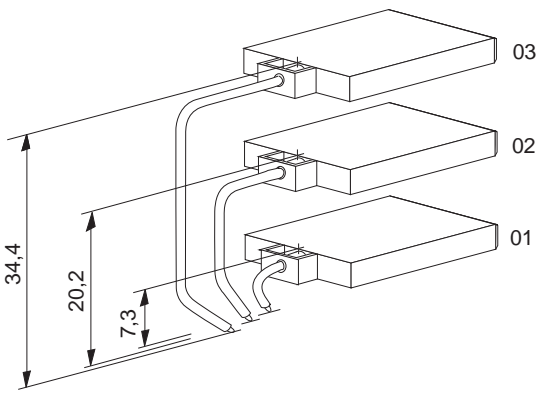


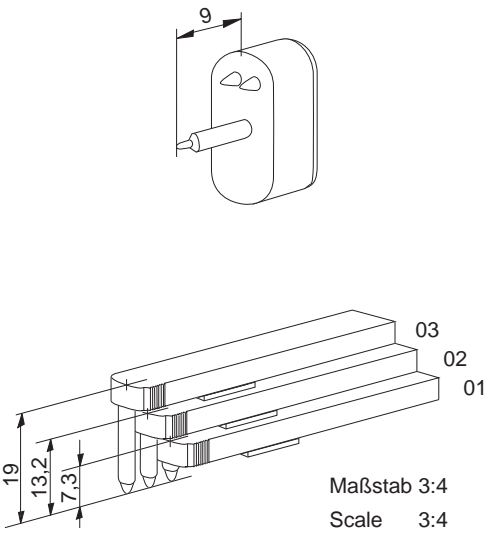
VERMES®

FASERSCHREIBFEDERN
RECORDING PENS
PLUMES D'ENREGISTREURS

| Gerätetyp | Bestellnr. des Geräteherstellers | Vermes - Typen - Nr. | VE | ABB/KENT-TAYLOR |
|------------------------------------|----------------------------------|----------------------|----|--------------------------------------------------------------------------------------|
| P 600 Markierfeder | B 8201 | 4664 00 9 06 A 01 | 5 |  |
| P 100 L, P 101 L, P 100 M, 100S | P 100 L/1095 P 102 L/1099 | 4827 01 9 02 A 01 | 3 |  |
| P 102 L | P 100 L/1095 P 102 L/0151 | 4827 01 9 02 A 01 | 3 |  |
| | | 4827 04 9 04 A 01 | 3 | |
| P 103 L | P 103L/0060 | 4827 01 9 02 A 01 | 3 |  |
| | | 4827 02 9 04 A 01 | 3 | |
| | | 4827 03 9 06 A 01 | 3 | |

VERMES®

FASERSCHREIBFEDERN
RECORDING PENS
PLUMES D'ENREGISTREURS

| Gerätetyp | Bestellnr. des Geräteherstellers | Vermes - Typen - Nr. | VE | ABB/KENT-TAYLOR |
|---------------------------|----------------------------------|----------------------|----|---------------------------------------------------------------------------------------------------------------------|
| 288-1014A, 1428 m 371 | | 4871 01 9 02 A 01 | 1 |  <p>Maßstab 3:4 Scale 3:4</p> |
| | | 4871 01 9 03 A 01 | 1 | |
| | 54 S 205 RTA 155S175-3 | 4873 01 9 02 A 01 | 1 | |
| | | | 1 | |
| | 54 S 205 BTA 155S175-4 | 4873 01 9 03 A 01 | 1 | |
| | 54 S 206 RTA 155S175-5 | 4873 02 9 02 A 01 | 1 | |
| | | | 1 | |
| | 54 S 206 BTA 155S175-6 | 4873 02 9 03 A 01 | | |
| 54 S 207 RTA 155S175-8 | 4873 03 9 06 A 01 | | | |