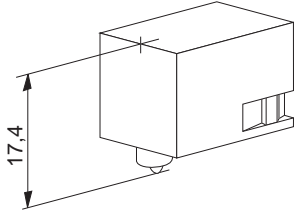
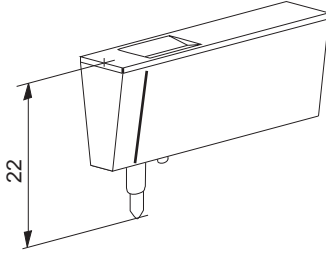
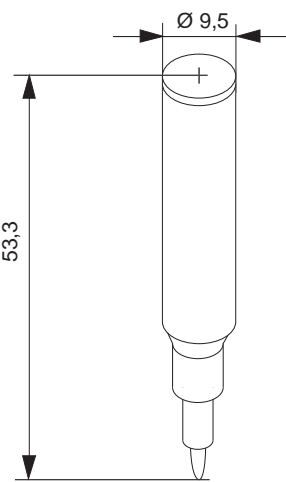


Gerätetyp	Bestellnr. des Geräteherstellers	Vermes - Typen - Nr.	VE	HOUSTON INSTRUMENTS
2-3000, XY-2000, XY-3000, XY-4000, DP-10, 4090 TY, V.O.M. 5/6/7/8	P 43, MPE 501	4503 00 9 01 N 01	1	
	P 40, MPE 500	4503 00 9 02 N 01	1	
	P 41, MPE 502	4503 00 9 03 N 01	1	
	P 42, MPE 503	4503 00 9 04 N 01	1	
CPS 20	MP 452	4765 00 9 01 N 01	10	
	MP 450	4765 00 9 02 N 01	10	
	MP 451	4765 00 9 03 N 01	10	
	MP 453	4765 00 9 04 N 01	10	
Omniscribe DMP2, DMP3, DMP4, DMP5, DMP6, DMP7, A5000, B5000, D5000	MP 64, MP 69, MP 494, MP 532	4814 00 9 01 N 01	1	
	MP 63, MP 70, MP 495, MP 533	4814 00 9 02 N 01	1	
	MP 67, MP 72, MP 497, MP 534	4814 00 9 03 N 01	1	
	MP 66, MP 71, MP 496, MP 535	4814 00 9 04 N 01	1	